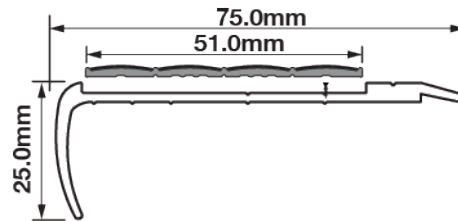
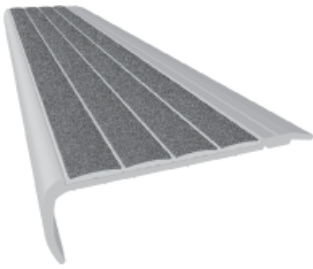


Product Data Sheet – Stair Nosing F8-160



The F8-160 provides step edge contrasting colour and long-lasting non-slip protection in preventing slips and falls in all weather conditions.

COMPLIANCE

Complies with BCA Code On Accessibility In The Built Environment 2013 Clause 4.11.2.2 that required all steps shall be fitted with non-slip nosing strips between 50 mm and 65 mm in width with permanent contrasting colours.

Compliance to Workplace Safety and Health Act in preventing slips and falls in Workplace.

PERFORMANCE

The hard-wearing silicon carbide non-slip material is integrally bonded to the aluminum substrate meaning thousands of people can walk on Ecoglo Products thousands of times.

The Stair Nosing is suitable for use indoors and outdoors. The non-slip material provides all weather protection from slips and falls.

Anti-slip Properties – AS/NZ 4586-2013 Classification: P5

SUPPLY

The products are available in 2.40 metre or 3.0 metre. Cut lengths can be fabricated on site or in factory.

COMPOSITION

The F8 Stair Nosing profile consists of 6060T5 aluminium extrusion, natural anodised (silver colour) to 20 microns thickness. It is produced from billets containing recycled aluminium and virgin aluminium. It is a certified Singapore Green Label Product (043-080-1984).

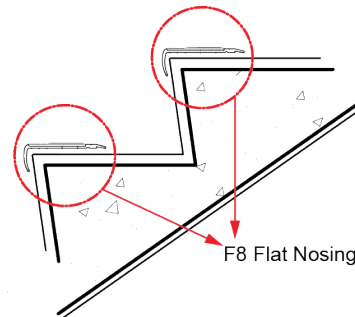
Ecoglo N3-060 Non-Slip Strip, Grey 51.0 mm width is adhesively fixed into the extrusion. The non-slip strip N3-060 is manufactured from extruded 6060T5 aluminium section. Silicon Carbide non-slip materials are embedded in thermoset polyester carriers to integrally bond the active ingredients into the aluminium following curing at high temperature.

INSTALLATION

The F8-160 can be used on a range of substrates including concrete, timber, tiles, vinyl, steel and chequer plate stairs.

Installation is a simple process with adhesive and screws or using adhesive only if drilling is not possible.

It can also be fitted over steps with an industrial or commercial style carpets not thicker than 6 mm. For carpet that is up to 10mm thick, use F7A or F12A Stair Nosing.



Recommended installation adhesive is Bostik Seal N Flex.
Recommended installation plug is Fischer Plug SX.

Contact

Ecoglo Pte Ltd
111 North Bridge Road #17-06 Peninsula Plaza
Singapore 179098
Phone: 6858 3530 Fax: 6826 4138
email: info@ecoglo.sg URL: www.ecoglo.sg

